

CSL

CREATIVE SYSTEMS LIGHTING

CSL

CREATIVE SYSTEMS LIGHTING

Cutting Edge & Transformative

High-performance commercial and residential lighting that empowers and instills confidence among today's top architects, lighting designers, and builders. Combining industry-leading advanced optical systems, patented adjustability, and clean, quiet ceiling aesthetics, our full suite of performance-engineered solutions represents an evolutionary leap forward in architectural lighting.

High Performance Lighting for Every Space

Meet the high-performance, cost-effective LED downlight designed to over-deliver on light quality, efficiency, and versatility. The ECO Downlight from CSL offers an LED solution that fits any application, including general, task, or accent lighting for residential, commercial, hospitality, and retail spaces.

CSL | ECO
DOWNLIGHTS



1", 3", 5" LED RECESSED DOWNLIGHTS

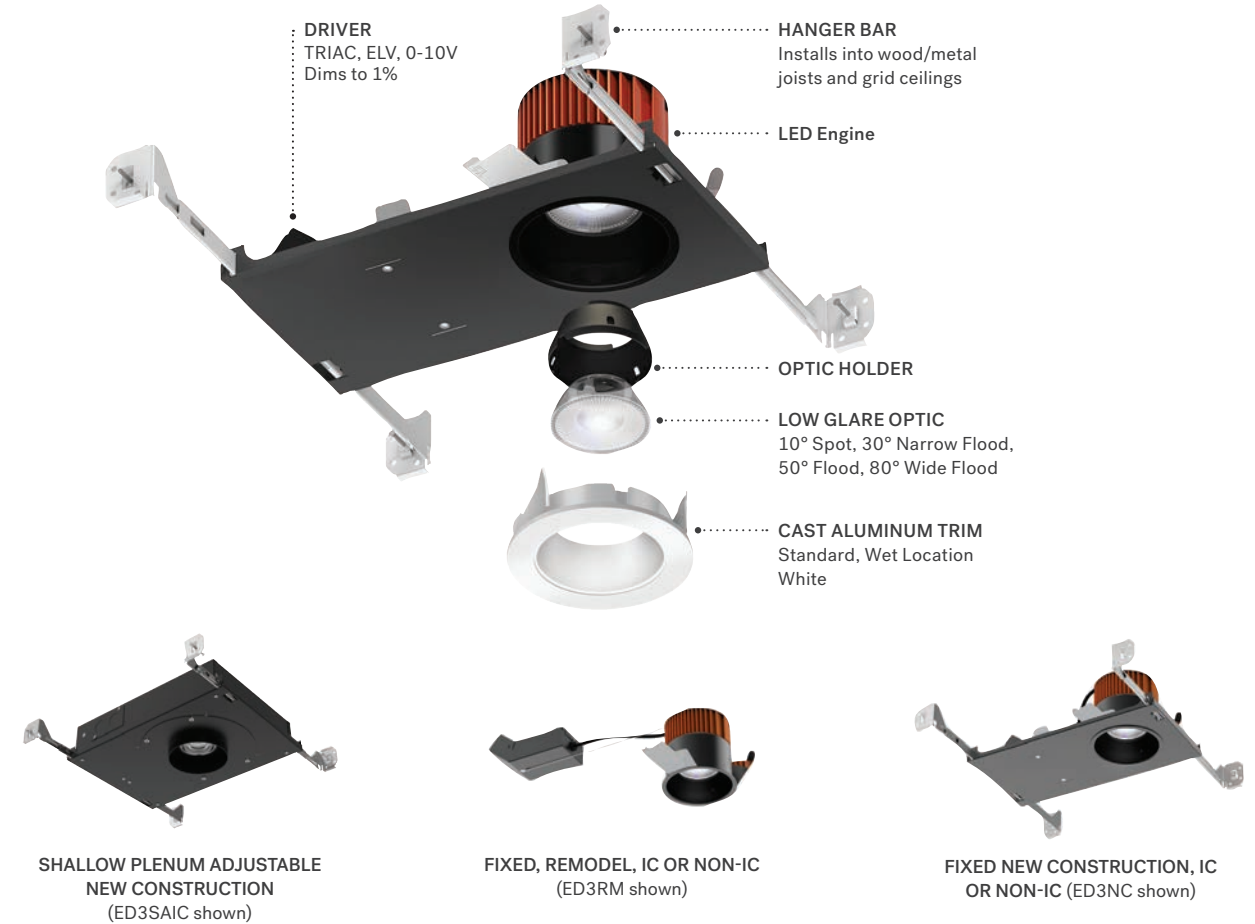
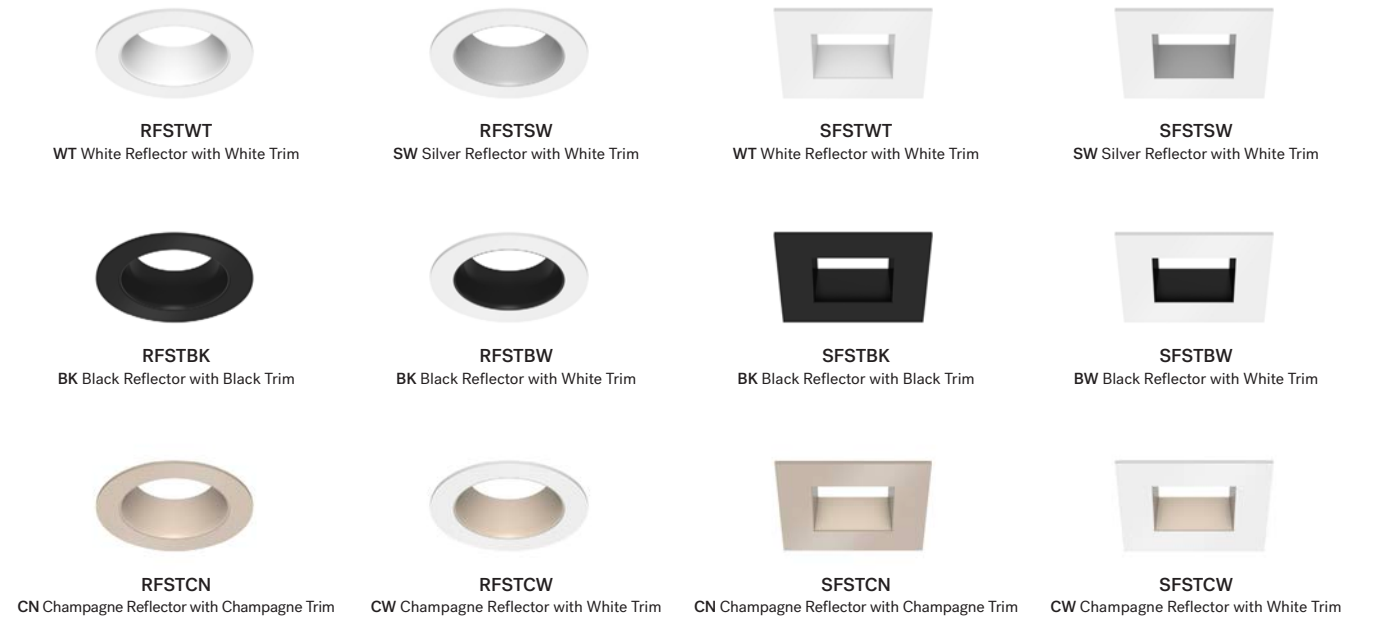
The ECO Downlight is available in adjustable and fixed models and can be installed into shallow plenums as low as 2 3/8" for the 1" light and 2 1/2" for the 3" and 5". 1", 3", 5" apertures deliver 700 to 2700 lumens with minimal glare. CSL uses the highest quality 90+ CRI, 2-Step SDCM LED chips powered by high-performance dimming drivers. ECO housings pair perfectly with your choice of trim style and colors to bring the light where you need it and provide a clean ceiling aesthetic.

| ECO DOWNLIGHTS | | | |
|------------------|---|--|---|
| DIAMETER | 1" | 3" | 5" |
| RATED WATTAGES | 12W & 10W 14W (SAIC Warm Dim) | 21W & 12W 15W (NIC & RIC Warm Dim) | 26W, 15W (SAIC), 30W (RM/NC), 16W (RIC/NIC) |
| DELIVERED LUMENS | UP TO 1005 LM | UP TO 2360 LM | UP TO 3123 LM |
| EFFICACY | UP TO 99 LPW | UP TO 132 LPW | UP TO 142 LPW |
| ADJUSTABILITY | 0° TO 30° TILT (ADJUSTABLE HOUSINGS ONLY) | 0° TO 45° TILT (ADJUSTABLE HOUSINGS ONLY) | |
| OPTICS | 50° INSTALLED - 10°, 30°, 80° AVAILABLE | | |
| MEDIA | CLEAR, SOLITE, FROSTED, LINEAR SPREAD, HEX LOUVER | | |
| CCT @ 90 CRI | 2700K, 3000K, 3500K, 4000K, WARM DIM | | |
| LED LIFETIME | >55,000 HRS @ L80 | | |
| INPUT VOLTAGE | 120/277V 50/60Hz | | |
| DIMMING TYPES | TRIAC, ELV, 0-10V, DIMS TO 1% | | |
| MINIMUM PLENUM | 2 3/8" | 2 1/2" SHALLOW SAIC, 3 1/2" RM/NC/RIC/NIC MODELS WITH ST TRIM | |
| SERVICEABILITY | BELOW CEILING ACCESS | | |

NOTE: MAX DELIVERED LUMENS AVAILABLE WITH 30° OPTIC AT 4000K CCT. CONSULT SPEC SHEET FOR FULL PRODUCT DETAILS.



TRIM FINISHES



The Foundation of Performance Lighting

Designed for efficiency without compromise and built with the same optics and LED technology that define CSL's premium lines, CSL Forme balances streamlined aesthetics with reliable performance, delivering exceptional, glare-free light quality in a simplified, accessible form. Quick-ship availability and simplified installation keep projects moving without sacrificing the quality and design integrity professionals expect from CSL.

CSL | FORME



CSL FORME PENDANT, FLUSH MOUNT, AND DOWNLIGHT

CSL Forme represents where performance begins — a lighting collection designed to bring CSL's trusted quality, precision engineering, and architectural refinement to every project. Built with the same optics and LED technology that define CSL's premium lines, CSL Forme delivers exceptional glare-free light quality in a simplified, accessible form. Clean lines, minimal silhouettes, and reliable quick-ship availability make CSL Forme the go-to choice for spaces that demand efficiency without compromise. Whether illuminating commercial, hospitality, or residential spaces, CSL Forme keeps projects on track, on time, and aligned with budget goals — all while maintaining the performance and design integrity CSL is known for. From concept to completion, CSL Forme is the starting point of great design — grounded, reliable, and brilliantly executed.

| CSL FORME | CYLINDER | DOWNLIGHT | |
|------------------|---|---|----------------------------------|
| DIAMETER | 3" | 3" | |
| RATED WATTAGES | 14W | SWITCHABLE-POWER 8W/12W SINGLE-POWER 12W | |
| DELIVERED LUMENS | UP TO 1396 LM | UP TO 1136 LM | |
| EFFICACY | UP TO 101 LPW | UP TO 115 LPW | |
| OPTICS | 50° INSTALLED - 10°, 30°, 80° AVAILABLE | | |
| MEDIA | CLEAR, SOLITE, FROSTED, LINEAR SPREAD, HEX LOUVER | | |
| CCT @ 90 CRI | 2700K, 3000K, 3500K | | |
| LED LIFETIME | >55,000 HRS @ L80 | | |
| INPUT VOLTAGE | 120/277V 50/60Hz | SWITCHABLE POWER SUPPLY | SINGLE POWER SUPPLY |
| | | 120V 50/60Hz | 120/277V 50/60Hz |
| DIMMING | TRIAC, ELV, 0-10V, DIMS TO 1% | TRIAC & ELV DIMS to 5% | TRIAC, ELV and 0-10V, DIMS to 1% |
| MINIMUM PLENUM | N/A | 2 1/2" WITH 5/8" CEILING THICKNESS | |
| LISTING | UL LISTED DAMP RATED, 40° AMBIENT | UL LISTED DAMP RATED ALL TRIMS, WET LOCATION WITH WET LOCATION TRIM, IC @ 40° AMBIENT | |
| SERVICEABILITY | BELOW CEILING ACCESS | | |

NOTE: MAX DELIVERED LUMENS AVAILABLE WITH 30° OPTIC AT 3500K CCT. CONSULT SPEC SHEET FOR FULL PRODUCT DETAILS.



3" PENDANT CYLINDER, CORD



3" PENDANT CYLINDER, STEM



3" FLUSH MOUNT CYLINDER



Pendant and flush mount cylinders are only available in white or black finish.

STANDARD TRIM STYLES

Only available in white or black finish.



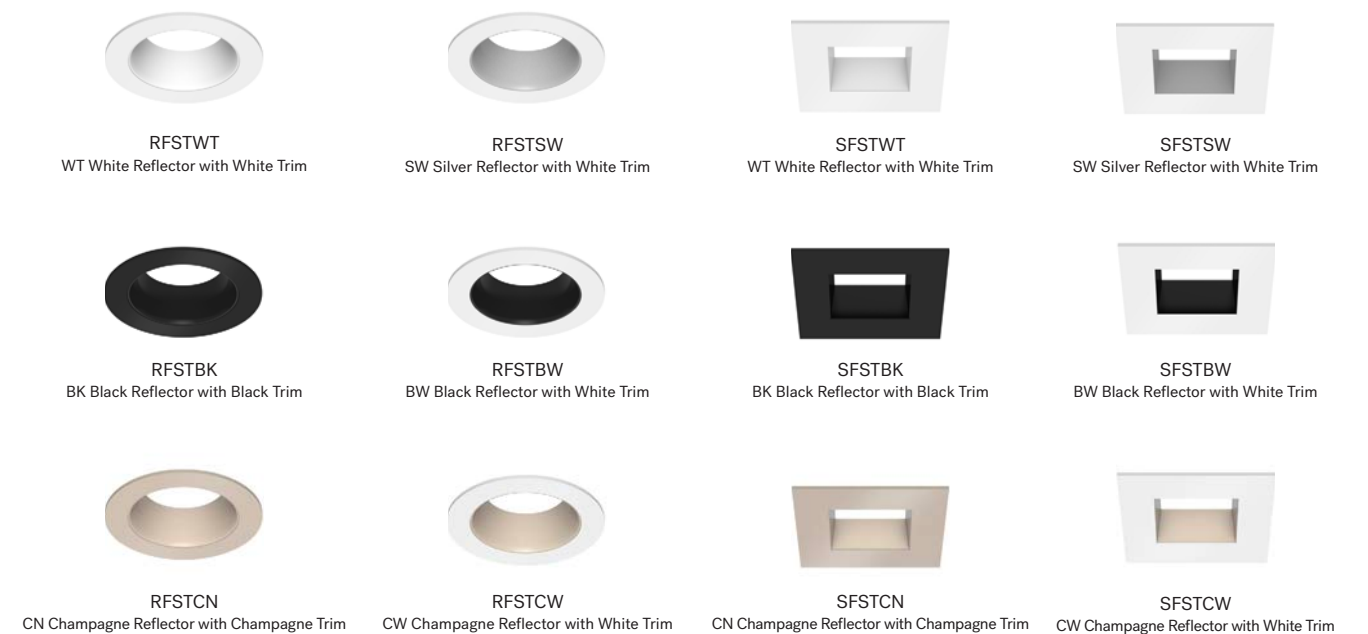
DRV-DLT3RIC Driver Assembly

DLT3RIC Light Module

DLT3-RFST

DLT3-SFST

PREMIUM TRIM FINISHES



RFSTWT
WT White Reflector with White Trim

RFSTSW
SW Silver Reflector with White Trim

SFSTWT
WT White Reflector with White Trim

SFSTSW
SW Silver Reflector with White Trim

RFSTBK
BK Black Reflector with Black Trim

RFSTBW
BW Black Reflector with White Trim

SFSTBK
BK Black Reflector with Black Trim

SFSTBW
BW Black Reflector with White Trim

RFSTCN
CN Champagne Reflector with Champagne Trim

RFSTCW
CW Champagne Reflector with White Trim

SFSTCN
CN Champagne Reflector with Champagne Trim

SFSTCW
CW Champagne Reflector with White Trim

The Quiet Ceiling Solution that Speaks Volumes

Whisper is powered by CSL's proprietary SilentVu™ optic technology, which allows it to produce exceptionally high-quality light for general, task, or accent lighting from a footprint smaller than a dime. The goal: to draw your eye to the thoughtfully designed space, not the ceiling. Experience extremely low glare when approaching or inside the space. Available in the enhanced Whisper Standard fixed system, the Whisper Flex adjustable system, and the Whisper Multiples system with the option of multiple adjustable heads.

CSL | WHISPER



WHISPER STANDARD & WHISPER FLEX

CSL Whisper Standard is the 1/2" aperture LED recessed downlight built for today's clean, quiet ceiling designs. This impossibly small downlight offers broad flexibility for new construction and remodel projects and fits the shallowest of plenums, requiring as little as 2" of plenum clearance. CSL Whisper Flex is designed with precision to be highly adaptable. As the first of its kind, this 3/4" aperture LED adjustable downlight provides maximum illumination with only a 3 1/2" minimum plenum clearance required. Both Whisper Standard and Whisper Flex are powered by CSL's proprietary SilentVu™ optic technology, delivering up to 1271 lumens, which allows it to produce exceptionally high-quality light for general, task, or accent lighting from a footprint smaller than a dime.

WHISPER STANDARD (WS-IC) & FLEX (WS-AIC)

| | |
|------------------------------|--|
| SILENT VU™ OPTICS TECHNOLOGY | 50° INSTALLED - 30° INCLUDED |
| RATED WATTAGE | WS-IC: STATIC WHITE = 17.8W, WARM DIM = 16.2W WS-AIC: STATIC WHITE = 16.9W, WARM DIM = 15.0W |
| DELIVERED LUMENS | WS-IC: UP TO 1264 LM @ 4000K - 50° OPTIC WS-AIC: UP TO 1271 LM @ 4000K - 50° OPTIC FT TRIM |
| EFFICACY | WS-IC: UP TO 66.5 LPW @ 4000K - 50° OPTIC WS-AIC: UP TO 75 LPW @ 4000K - 50° OPTIC FT TRIM |
| COLOR QUALITY | 90+ CRI, 2-STEP SDCM |
| CCT @ 90 CRI | 2700K, 3000K, 3500K, 4000K, WARM DIM |
| LED LIFETIME | 55,000 HRS @ L90 |
| ADJUSTABILITY | WS-AIC ONLY: 0° TO 30° TILT, 360° PAN |
| INPUT VOLTAGE | 120/277V, 50/60Hz |
| DIMMING TYPES | MULTIPLE DIMMING DRIVERS AVAILABLE |
| SERVICEABILITY | WS-IC: ABOVE CEILING ACCESS REQUIRED FOR INTEGRAL DRIVER OPTION. WS-AIC: ALL OPTIONS: BELOW CEILING ACCESS |

CONSULT SPEC SHEET FOR FULL PRODUCT DETAILS.



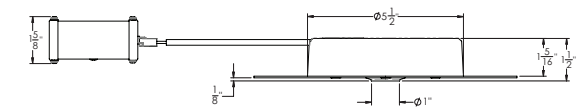
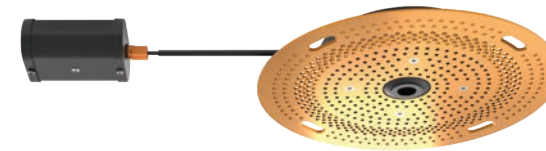
WHISPER STANDARD - WS-IC

FEATURES

- 1/2" aperture, trimless downlight minimizes fixture and light noise at the ceiling
- Delivers up to 1264 lumens of general or accent light using SilentVu™ optical control at 50° or 30°

HOUSING INSTALLATION

- Mud-in only
- 3" drywall toggle bolts included
- 1/2"-2" ceiling thickness
- 5 1/2" diameter ceiling cutout
- 2 1/2" minimum plenum height above the ceiling required
- Above ceiling access required for integral driver option



WHISPER FLEX - WS-AIC

FEATURES

- 3/4" aperture downlight minimizes fixture and light noise at the ceiling
- Delivers up to 1271 lumens of general or accent light using SilentVu™ optical control at 50° or 30°
- 55,000 hr LED lifetime and available integral or remote driver options

TRIM OPTIONS

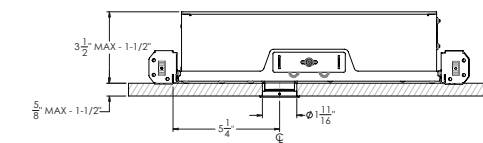
- Fixed and Adjustable
- Wet Location (AL, FL & WW)
- Wall Wash
- Round and Square
- Standard, Trimless, and Wood Ceiling

TRIM & REFLECTOR COLORS

- White
- Black
- Champagne
- Satin Aluminum (Reflector Only)
- Custom Color

HOUSING

- Includes two (2) galvanized steel adjustable hanger bars and butterfly brackets.
- Ceiling Material: Drywall, T-bar grid, Wood and Millwork
- Steel junction box with up to four 1/2" knockouts
- All options are Air Tight and CCEA (Chicago Plenum)
- 3 1/2" minimum plenum height above the ceiling required



WHISPER MULTIPLES

Whisper Multiples is a revolutionary new concept in overhead lighting. This unobtrusive design features small apertures that provide precise and powerful illumination from an incredibly quiet ceiling. Sharing the same benefits of Whisper Flex, Whisper Multiples level up with the option of 2, 3, or 4 independently adjustable heads for increased flexibility and control. Providing general or accent lighting as needed, each 3/4" round aperture adjustable LED head delivers up to 816 lumens for expansive illumination. Featuring CSL's proprietary SilentVu™ optic technology, Whisper Multiples emit soft, glare-free lighting suitable for a wide variety of applications. A serviceable integral driver and easily removable light modules make installation and adjustments a snap. Experience why we believe good things come in multiples.

WHISPER MULTIPLES LED DOWNLIGHT (WSM-AIC)

| | |
|------------------------------|---|
| SILENT VU™ OPTICS TECHNOLOGY | 50° INSTALLED - 30° INCLUDED |
| RATED WATTAGES | STATIC WHITE: 2-UP = 21W, 3-UP = 31W, 4UP = 30W WARM DIM: 2-UP = 19W, 3UP = 29W, 4UP = 28W |
| SYSTEM DELIVERED LUMENS | UP TO 2496 LM WITH 4 HEADS @ 4000K. 50° OPTIC WITH 3/4" ROUND APERTURES @ A 1 3/4" HEAD-TO-HEAD PITCH |
| MODULE DELIVERED LUMENS | UP TO 816 LM @ 4000K - 2-UP 50° OPTIC |
| SYSTEM EFFICACY | UP TO 82.9 LPW @ 4000K - 4-UP 50° OPTIC |
| COLOR QUALITY | 90+ CRI, 2-STEP SDCM |
| CCT @ 90 CRI | 2700K, 3000K, 3500K, 4000K, WARM DIM |
| LED LIFETIME | 55,000 HRS @ L70 |
| ADJUSTABILITY | 0° TO 30° TILT, 360° PAN |
| INPUT VOLTAGE | 120-277V, 50/60Hz |
| DIMMING TYPES | TRIAC, ELV AND 0-10VDC AND LUTRON HOMEWORKS/ ECOSYSTEM OPTIONS AVAILABLE |
| SERVICEABILITY | ALL OPTIONS: BELOW CEILING ACCESS |

CONSULT SPEC SHEET FOR FULL PRODUCT DETAILS.



FEATURES

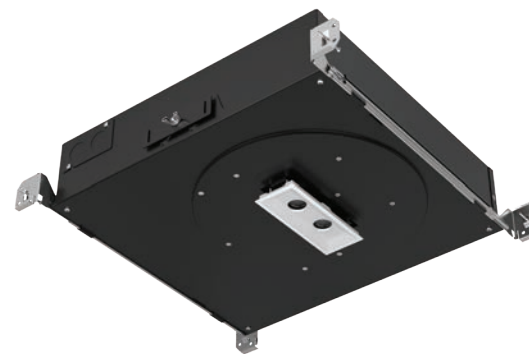
- 3/4" aperture downlight minimizes fixture and light noise at the ceiling
- Delivers up to 2495 lumens of general or accent light using SilentVu™ optical control at 50° or 30°
- 55,000 hr LED lifetime and available integral or remote driver options
- Housing available in 2-, 3-, and 4-light module options
- Modules pan 90° together as a set
- Integral driver is removable from below ceiling

TRIM OPTIONS

- Adjustable
- Wet Location
- Round Apertures
- Standard, Trimless, and Wood Ceiling

TRIM & REFLECTOR COLORS

- White
- Black
- Champagne
- Satin Aluminum (Reflector Only)

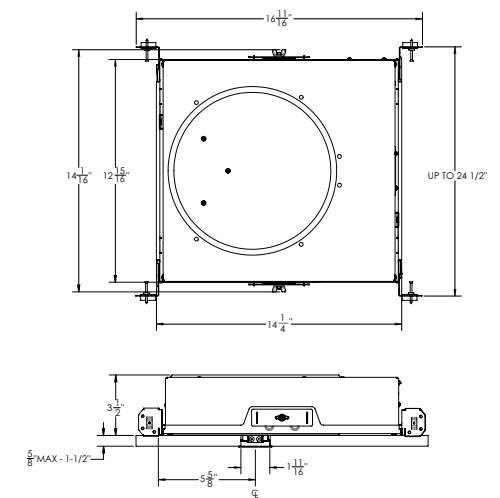


HOUSING

- Includes (2) galvanized steel adjustable hanger bars and butterfly brackets.
- Ceiling Material: Drywall, T-bar grid, Wood and Millwork
- Steel junction box with four 1/2" knockouts
- All options are Air Tight and CCEA (Chicago Plenum)
- 3 1/2" minimum plenum height above the ceiling required

LISTING/WARRANTY

- cULus Listed
- UL Listed for Damp Location (All Styles) & Wet Location with AL reflector options.
- ASTM E283 Certified Airtight
- IC Rated
- CA Title 24-JA8 Compliant with Static White
- Five (5) years limited warranty
- CCEA (Chicago Plenum) Approved



Seamless Design, Strong Performance

CSL Cylinders are powerful luminaires you can wall mount, surface mount, and suspend with stem or cord. Versatile in nature, CSL Cylinders are available in three sizes, in round or square, and two classic finishes—semi-gloss white and matte black. Driven by minimalist design, these LED Cylinders feature a clean silhouette with seamless edges.

CSL | CYLINDERS

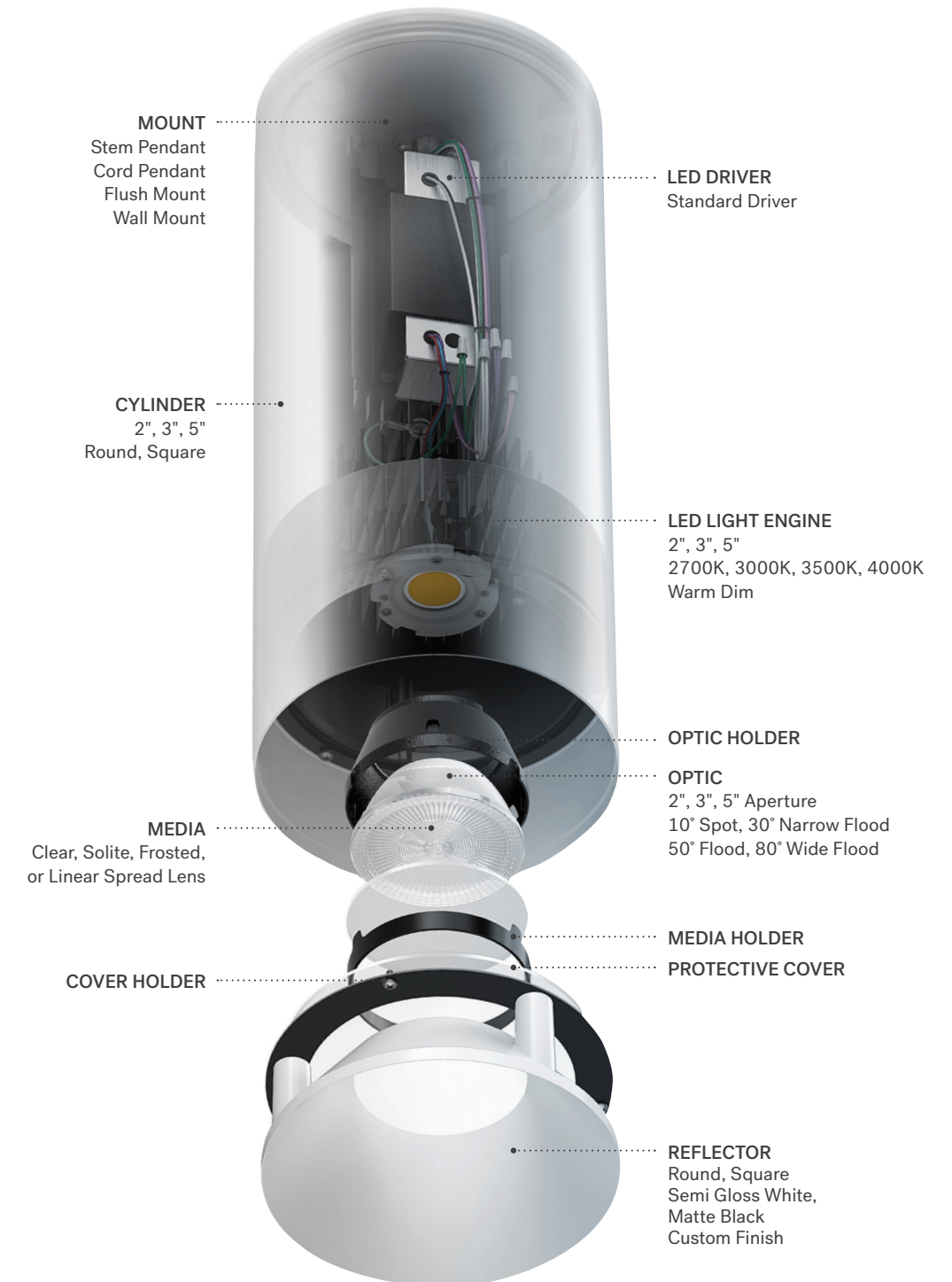


CSL CYLINDERS | 2", 3", 5" ARCHITECTURAL LED

CSL Cylinders are powerful downlights you can wall mount, surface mount, suspend with stem or cord. Versatile in nature, CSL Cylinders are available in three sizes, two shapes and two classic finishes—semi-gloss white and matte black. For surface and pendant mounts, conduit canopies are available in two sizes, 3 1/4" (CC1) and 3 7/8" (CC2). With design at the forefront, CSL Cylinders boast streamlined features like no seams, a low-profile canopy and no external hardware. The minimalist design elevates existing architecture for a beautiful, clean aesthetic. Built with form and function in mind, CSL Cylinders feature a removable bezel for easy access to the optics, LED, and driver. With real time availability, standard options are always ready to ship.

| | CYLINDERS FLUSH, PENDANT & WALL | | | ENTITY FLUSH & PENDANT | | |
|----------------------|---|---------|---------|--------------------------|---------|---------|
| DIAMETER | 2" | 3" | 5" | 2" | 3" | 5" |
| MAX WATTAGE | 10W-20W | 15W-50W | 15W-50W | 10W, 15W | 15W-30W | 15W-30W |
| MAX DELIVERED LUMENS | 1943 | 3175 | 4975 | 1554 | 3175 | 3383 |
| AVAILABLE OPTICS | SILENT VU™ OPTICS: 10°, 30°, 50°, 80° | | | | | |
| MEDIA | CLEAR, SOLITE, FROSTED, LINEAR SPREAD, HEX LOUVER | | | | | |
| CCT/CRI | 2700K 90 CRI, 3000K 90 CRI, 4000K 80 CRI, WARM DIM 98 CRI | | | | | |
| COLOR QUALITY | 2700K-3500K 90+ CRI, 2-STEP SDCM | | | | | |
| LED LIFETIME | 55,000 HOURS @ L90 | | | | | |
| INPUT VOLTAGE | 120/277V, 50/60Hz | | | | | |
| DIMMING | MULTIPLE DIMMING DRIVERS AVAILABLE | | | | | |
| SERVICEABILITY | LIGHT MODULE AND DRIVER FIELD SERVICEABLE | | | | | |

CONSULT SPEC SHEET FOR FULL PRODUCT DETAILS.





A Fusion of Superior Engineering and Heritage Design

CSL Luxe Cylinders and Luxe Pivot are a collection of high-performance decorative lighting that marries CSL's superior performance with Hudson Valley Lighting's elevated and design-forward aesthetic. Meticulously crafted to balance superior light output with high design, the CSL Luxe collection redefines luxury in architectural lighting.

CSL | LUXE PIVOT
& CYLINDER



LUXE PIVOT AND CYLINDER

Born from the remarkable collaboration between CSL's cutting-edge optics and Hudson Valley Lighting's legacy of exceptional craftsmanship, the CSL Luxe collection redefines luxury in architectural lighting. The Luxe Cylinder, an extension of the revered Cylinder line, introduces two elegant decorative finishes—Patina Brass and Distressed Bronze—that enhances the seamless aesthetic while elevating the overall design. The brand-new Luxe Pivot offers style and function with its clean, low-profile design, featuring a 60° tilt and 360° rotation. Utilizing our advanced Whisper optics, this sleek cylinder-style flush mount is also available in the refined decorative finishes of Patina Brass and Distressed Bronze. Meticulously crafted to perfectly balance superior light output with high design, CSL Luxe offers both aesthetics and performance in one cohesive collection to meet the exacting demands of today's luxury commercial and residential interiors, ensuring that you never have to compromise.

| | LUXE CYLINDERS FLUSH & PENDANT | | LUXE PIVOT |
|------------------|--|----------------------|----------------------|
| DIAMETER | 2" | 3" | 1" |
| RATED WATTAGE | 16.4W | 25W | 14W |
| DELIVERED LUMENS | UP TO 1383 LM @3500K | UP TO 2589 LM @3500K | UP TO 1037 LM @3500K |
| AVAILABLE OPTICS | 50° INSTALLED, 10°, 30°, 80° AVAILABLE | | 50° INSTALLED |
| MEDIA | CLEAR, SOLITE, FROSTED, LINEAR SPREAD, HEX LOUVER | | N/A |
| CCT/CRI | 2700K 90 CRI, 3000K 90 CRI, 3500K 90 CRI | | |
| COLOR QUALITY | 90+ CRI, R9>50, 2-STEP SDCM | | |
| LED LIFETIME | >55,000 HOURS @ L90 | | 55,000 HOURS @ L80 |
| INPUT VOLTAGE | 120/277V, 50/60Hz | | |
| DIMMING | TRIAC, ELV AND 0-10V, DIMS TO 1% | | |
| SERVICEABILITY | LIGHT MODULE AND DRIVER FIELD SERVICEABLE | | |
| FINISHES | DISTRESSED BRONZE, PATINA BRASS, MATTE BLACK, SEMI GLOSS WHITE | | |

CONSULT SPEC SHEET FOR FULL PRODUCT DETAILS.





The Pinnacle of Performance and Precision

The Acrobat recessed lighting system is the ultimate performer, engineered to deliver premium light quality and control in any application, to the most exacting standard. Acrobat Wall Wash Optic is an innovative product that converts standard Acrobat downlight trims to wall wash lighting.

This newly patented technology goes beyond traditional track or downlights, delivering next-level precision when spotlighting wall art, sculpture, or signage.

CSL | ACROBAT
DOWNLIGHTS

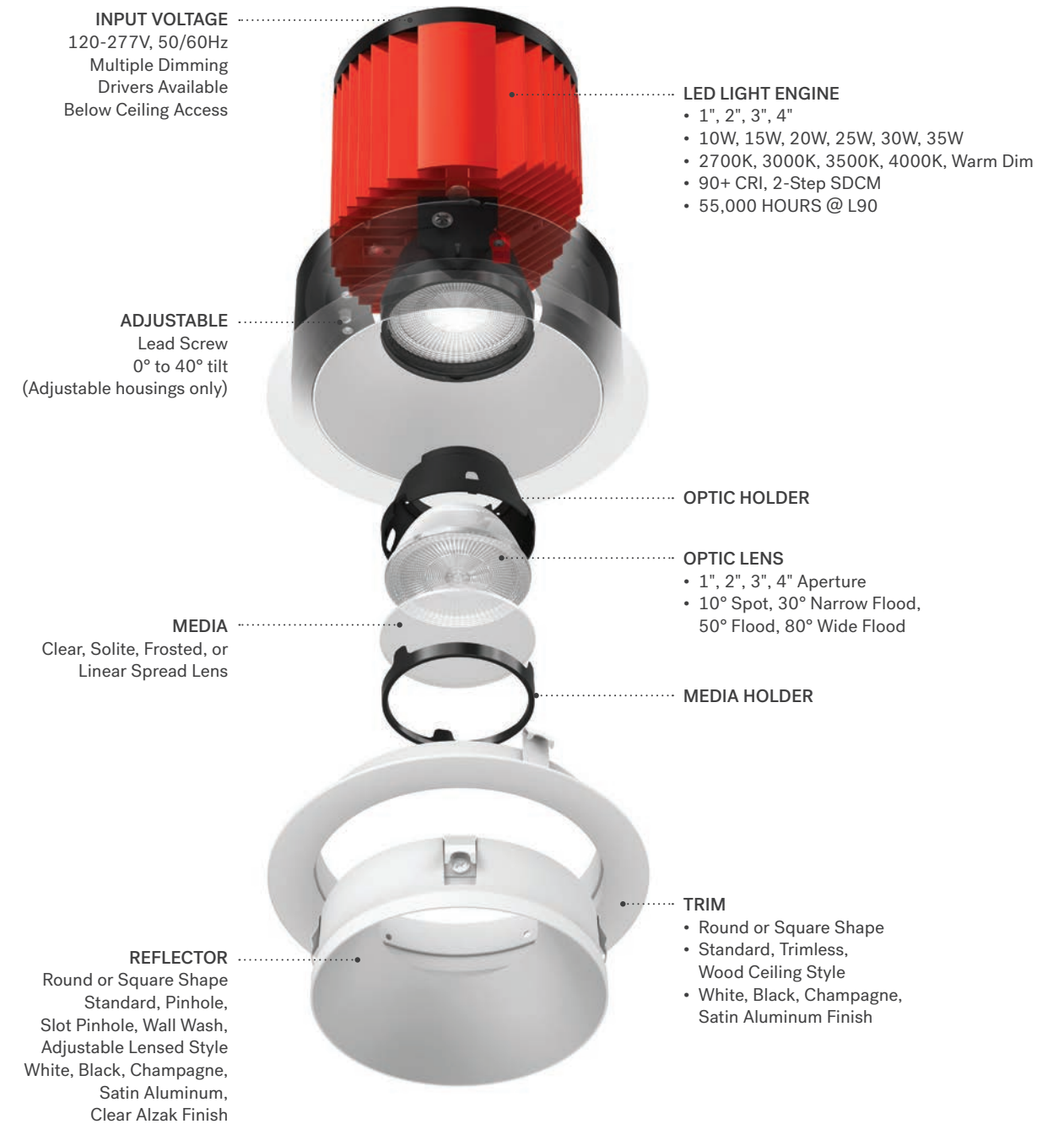


ACROBAT DOWNLIGHTS

Acrobat's light module installs separately from the housing, at the end of construction. It easily adjusts up or down, independent of the housing, to guarantee a tight fit between the optic holder and the reflector to hide internal components and maintain a professional, clean look below the ceiling. Adjustability is quick, easy, and precise. The light module rotates 360° and a twist of the custom lead screw tilts the module to the desired degree and locks it in place. Acrobat's housings are engineered to fit into tight spaces and optimize performance in any type of installation environment and ceiling material. Acrobat LED modules house CSL's patented Silent Vu™ optics, a unique system that converges light output through the optic to provide an exceptional quality of light with minimal glare.

| ACROBAT DOWNLIGHTS | | | | |
|-----------------------|--|----------------------------|----------------------------|---------------------------------|
| DIAMETER | 1" | 2" | 3" | 4" |
| PRECISE ADJUSTABILITY | 30° TILT; 360° ROTATION | 40° TILT; 360° ROTATION | 40° TILT; 360° ROTATION | 40° TILT; 360° ROTATION |
| AVAILABLE OPTICS | 10°, 30°, 50°, 80° BEAM SPREAD | | | |
| MEDIA | CLEAR, SOLITE, FROSTED, WALL WASH, LINEAR SPREAD, HEX LOUVER | | | |
| MAX WATTAGE | 10W, 15W | 10W, 15W, 20W | 10W, 15W, 20W, 25W | 10W, 15W, 20W, 25W, 30W, 35W |
| MAX DELIVERED LUMENS | 1197 | 1855 | 2305 | 2954 |
| EFFICACY (LM/W) | UP TO 81.5 | UP TO 96.2 | UP TO 100.2 | UP TO 102.3 |
| CCT @ 90 CRI | 2700K, 3000K, 3500K, 4000K, WARM DIM | | | |
| LED LIFETIME | 55,000 HOURS @ L90 | | | |
| DIMMING TYPES | MULTIPLE DIMMING DRIVERS AVAILABLE | | | |
| SERVICEABILITY | BELOW CEILING ACCESS (ABOVE CEILING ACCESS REQUIRED WHEN USING L3, EL1, EL2, DMX DRIVERS) | | | |
| MINIMUM PLENUM | 2 ½" SHALLOW, 5 ½" ADJUSTABLE | | | |

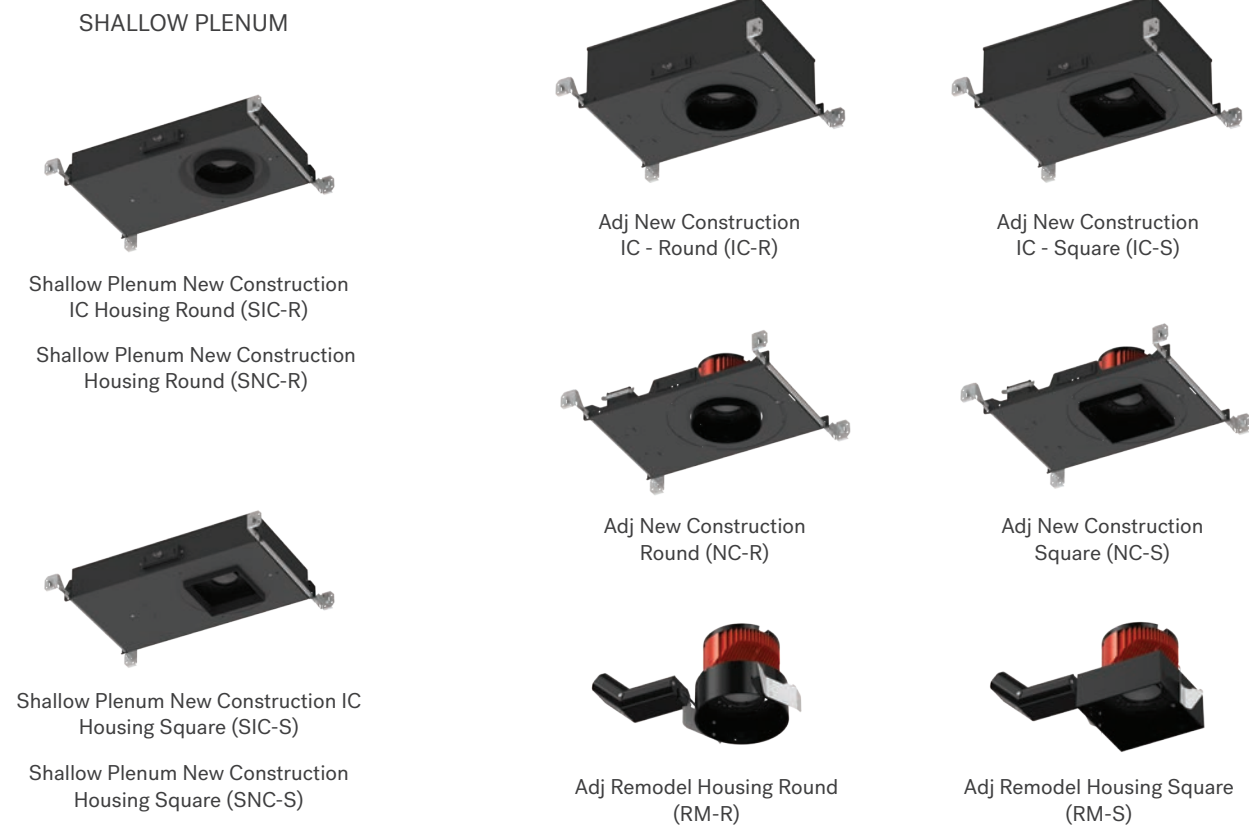
SOME MODELS MAY HAVE LIMITED OPTIONS AVAILABLE. CONSULT SPEC SHEET FOR FULL PRODUCT DETAILS.

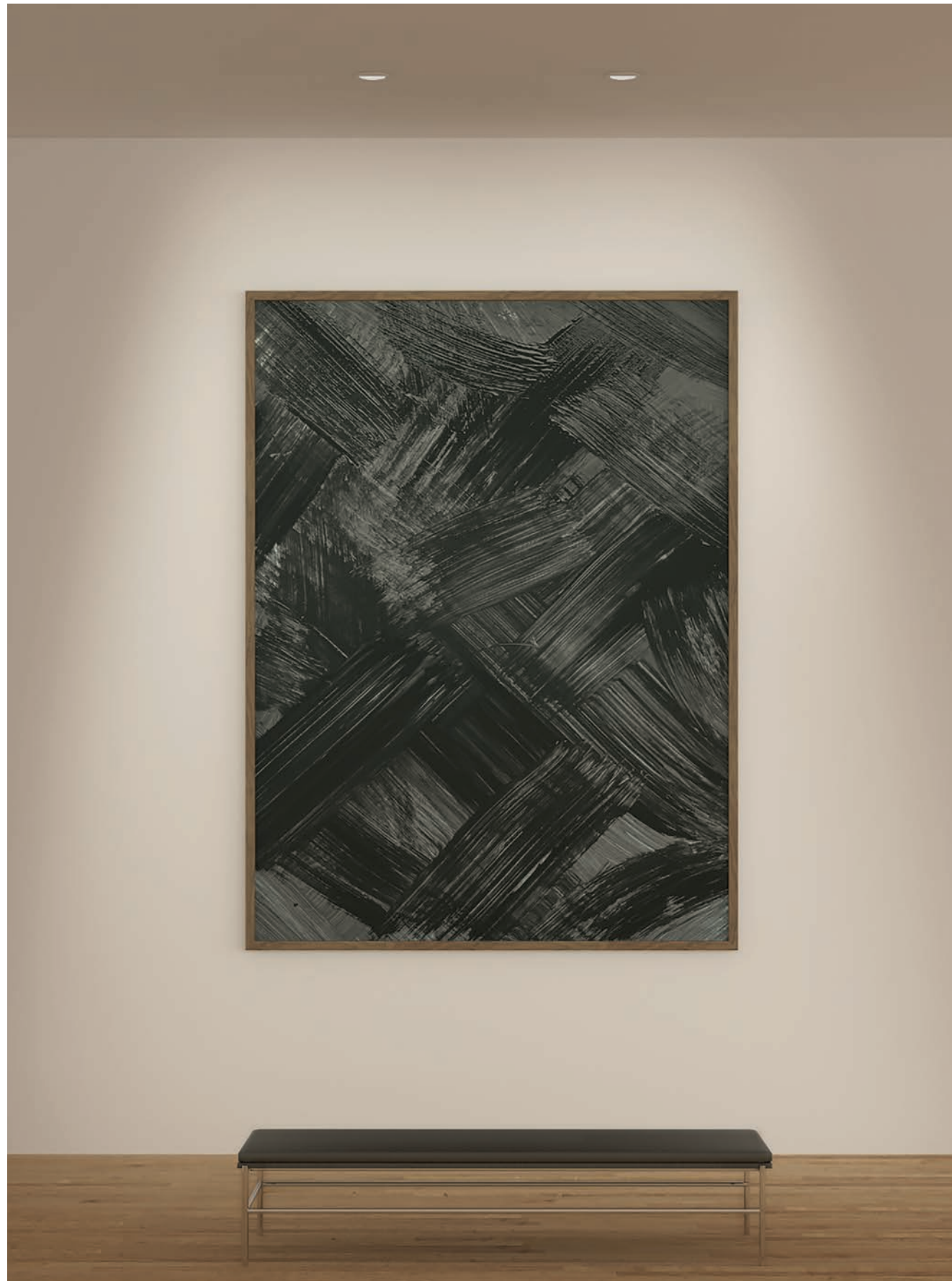


TRIM FINISHES



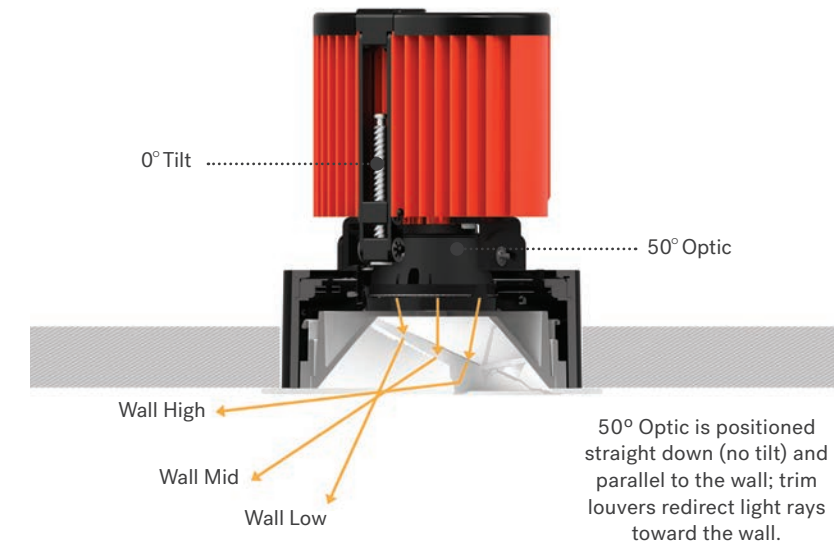
HOUSING





ACROBAT DOWNLIGHT WALL WASH | NEXT LEVEL PRECISION

Acrobat Wall Wash Optic is an innovative product that converts standard Acrobat Downlight trims to wall wash lighting. This newly patented technology goes beyond traditional track or downlights, delivering next-level precision when spotlighting wall art, sculpture, or signage.



SIMPLE INSTALLATION

The Wall Wash Optic is simply snapped into place and rotated to create directional light.



A metal cover snaps in behind it to maintain a superior below ceiling aesthetic.

A Different Way to Downlight

A different way to downlight, CSL's patented GyroShift® technology is a unique system that allows you to easily adjust a downlight with no loss of light on the target. CSL engineers designed the innovative bezel-and-ball system so that any lighting adjustment can be made while installed with just a twist of the bezel—no tools needed.

CSL | GYROSHIFT®



GYROSHIFT DOWNLIGHTS | 0 to 45° with Infinite Rotation

Though simple in appearance, the GyroShift® Downlight is a versatile downlight excelling at high brightness within a compact form factor. Though bright, the system is robust; designed to stay cool in the harsh environment of an insulated ceiling. GyroShift® Downlight has been designed for easy installation, service, and aiming. GyroShift® Downlight is versatile; accommodating ceiling thicknesses up to 2" while still fitting in shallow plenum spaces as little as 3 ½". From 0° to 45° angles with infinite rotation, GyroShift® optics are designed to provide a uniformly bright light and round beam at any angle. In addition, the GyroShift® optics are field-changeable and available in 10°, 30°, and 50°.

GYROSHIFT DOWNLIGHTS

| DIAMETER | 1" | 2" | 3" |
|----------------|---------------------|---------------|---------------|
| MAX LUMENS | 642 LM | 1146 LM | 1317 LM |
| EFFICACY | 64 LPW | 76 LPW | 66 LPW |
| POWER | 10W | 15W | 20W |
| CCT @90CRI | 2700K, 3000K, 3500K | | |
| OPTICS | 30°, 50° | 10°, 30°, 50° | 10°, 30°, 50° |
| ADJUSTABILITY | ±35° | ±45° | ±45° |
| MIN PLENUM | 5 ½" | 3 ½" | 3 ½" |
| TRIM/BEZEL | ROUND & SQUARE | | |
| INPUT VOLTAGE | 120/277V | | |
| DIMMING | TRIAC/ELV, 0-10V | | |
| SERVICEABILITY | BELOW CEILING | | |

MAX DELIVERED LUMENS AVAILABLE WITH 30° OPTIC AT 4000K CCT. CONSULT SPEC SHEET FOR FULL PRODUCT DETAILS.



- FEATURES**
- Rated for insulation contact
 - Available with 90 CRI
 - Available with 2700K, 3000K, and 3500K CCT
 - 3 optic and 6 media options
 - 45° adjustability with ∞ rotation
 - Available in round or square trim
 - Four trim and reflector color combinations to choose from: white/white, white/black, white/haze, white/bronze



Base



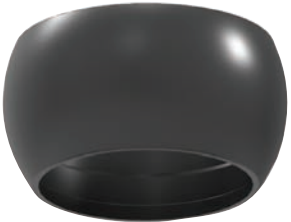
Locking Ring



Optic



Media



Ball

GYROSHIFT MULTIPLES | 0 to 45° with Infinite Rotation

GyroShift™ 1-4 Light Multiples incorporate the patented GyroShift™ optic system into multiple head recessed downlight fixtures that can be installed in shallow plenum spaces as little as 3 1/2". The heads are designed to stay fixed while each individual optic pans and tilts up to 45° independently of the others, enabling crisp accents, broad washes, and tailored light wherever you need it—in multiple directions. The patented optical system rotates the optic independently from the light source, eliminating cut off from the trim to provide a round beam of light with superior light control. The refined below-the-ceiling aesthetic is maintained even when lights have been shifted.

GYROSHIFT MULTIPLE LED DOWNLIGHT

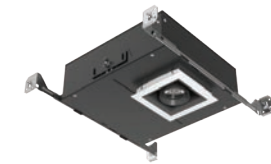
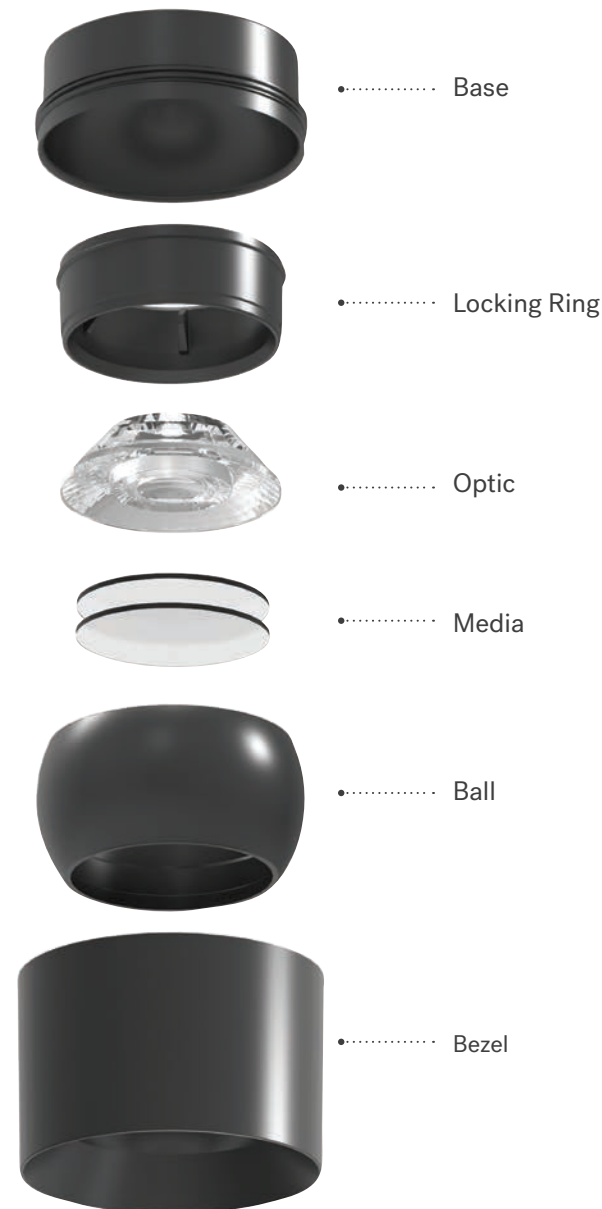
| | |
|------------------|--|
| ADJUSTABILITY | 45° TILT, INFINITE ROTATION, TOOL FREE LOCKING BELOW CEILING |
| AVAILABLE OPTICS | 10°, 30°, 50° BEAM SPREAD |
| MEDIA | CLEAR, SOLITE, FROSTED, LINEAR SPREAD, HEX LOUVER, WALL WASH |
| RATED WATTAGES | 54.1W FOR S2, UP TO 79.1W FOR S3 |
| DELIVERED LUMENS | 4257 LUMENS FOR S2, UP TO 6426 LUMENS FOR S3 |
| EFFICACY | UP TO 86 LPW FOR S2, UP TO 99 LPW FOR S3 |
| CCT @ 90 CRI | 2700K, 3000K, 3500K, 4000K, WARM DIM |
| COLOR QUALITY | STATIC WHITE 90CRI R9>50, WD 98CRI R9>90 |
| LED LIFETIME | >55,000 HOURS @ L70 |
| INPUT VOLTAGE | 120/277V, 50/60Hz |
| DIMMING TYPES | TRIAC, ELV, 0-10VDC & LUTRON HOMEWORKS/ECOSYSTEM OPTIONS AVAILABLE |
| SERVICEABILITY | ALL OPTIONS: BELOW CEILING ACCESS |

GYROSHIFT PRODUCTS ARE DESIGNED EXCLUSIVELY BY CSL IN THE USA. CONSULT SPEC SHEET FOR FULL PRODUCT DETAILS.



FEATURES

- Independently adjustable heads without breaking the plane of the ceiling with consistent below the ceiling appearance.
- Small footprint above the ceiling. 3.5" Plenum height and all SKU's can fit within a 16" joist spacing.
- Patented 'Z' height adjustment from 5/8-2" ceiling heights. Allows the trim a secure lock to the housing, yet always index to the room side of the ceiling.
- Field serviceable light and driver assembly modules all from below the ceiling.
- Competitively priced without compromising delivered lumens and performance.
- Standard single driver powering multiple heads or with premium individually controlled heads using a DMX control system.



GyroShift Multiples Single Head Trim



GyroShift Multiples Dual Head Trim



GyroShift Multiples Triple Head Trim



GyroShift Multiples Quad Head Trim



GyroShift Multiples Square Head Trim



Architectural Lighting Essentials: Key Terms & Concepts

CSL SILENT VU™ Patented Optic Technology

Experience extremely low glare in general, task, and accent lighting. Silent Vu™ optics are designed to draw attention to the thoughtfully designed space—not the ceiling—creating a refined, glare-free environment that enhances comfort and visual appeal.

Universal Drivers

CSL fixtures use universal drivers (120V-277V) that are compatible with every standard dimming protocol. This flexibility ensures seamless installation across residential, commercial, and hospitality projects.

Color Temperature

Color temperature influences the mood and vibrancy of a space. Measured in Kelvins (K), CSL offers a full range of options; each option allows you to create the right atmosphere—from intimate dining to clear, functional work environments.

| 2700K | 3000K | 3500K | 4000K |
|--------------------------------|---------------------------|-----------------------------------|---|
| Warm, hospitable, and inviting | Balanced “neutral” warmth | Crisp white with a welcoming glow | Bright white, best for task-driven spaces |

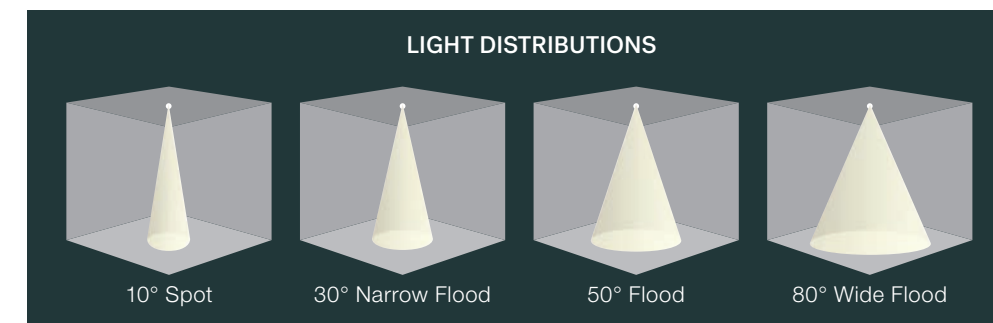
Warm Dim Technology

CSL’s Warm Dim starts at 3000K and smoothly dims down to 1800K. As the brightness decreases, the color temperature shifts warmer, mimicking sunset or golden hour. This natural dimming effect helps set the perfect mood in residential and hospitality settings.

Light Distribution (Beam Spread)

Beam spread determines how light fills a space. CSL fixtures allow you to customize distribution without changing the fixture, with field-changeable options of:

- 10° Spot – Highlight artwork, sculpture, or signage
- 30° Narrow Flood – Accentuate specific zones or design details
- 50° Flood – Balanced, general illumination
- 80° Wide Flood – Broad coverage for overall ambient lighting



Glossary of Key Lighting Terms

Lumens – The amount of light a fixture emits.

Watts (W) – The amount of electricity consumed to produce light.

Lumens Per Watt (LPW) – A measure of efficiency, similar to miles per gallon. Higher values mean more light output per unit of energy.

Correlated Color Temperature (CCT) – Indicates both the color and warmth of light, measured in Kelvins. Warmer (2700K) feels inviting and relaxing; cooler (4000K+) is ideal for clarity and precision.

Color Rendering Index (CRI) – A scale from 1-100 measuring how accurately a light source reveals colors compared to natural daylight. The closer to 100, the better the color rendering.



CSL

CREATIVE SYSTEMS LIGHTING

For over 30 years, CSL has created high-performance, low-maintenance lighting solutions for commercial and residential spaces. Our full suite of architectural lighting products brings together two qualities: They're at once environmentally conscious and aesthetically clean.

HUDSON VALLEY | CSL
LIGHTING GROUP

14508 Nelson Ave, City of Industry, CA 91744

626.366.4511

hvlgroup.com | csllighting.com

